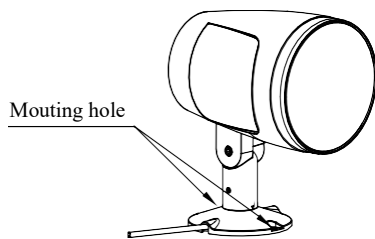


Installation Precautions:

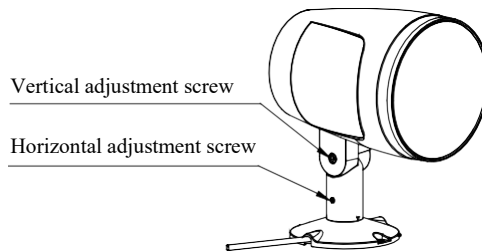
1. Please read the instruction manual carefully before installation;
2. Please have a professional electrician install it;
3. To avoid the risk of electric shock, please confirm to turn off the power before installing, maintaining, or replacing the lighting fixtures;
4. The installation of lighting fixtures must comply with the corresponding local laws and regulations;
5. Suitable for indoor and outdoor installation and use;
6. Keep the instruction manual for reference only.

Light Installation and Wiring:

One. Installation of lighting fixtures:

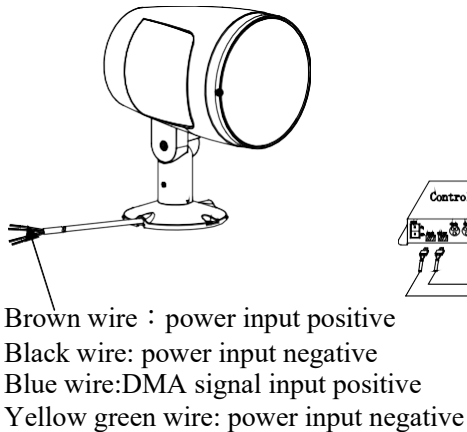


1. Fix the light fixture with appropriate screws through the installation holes shown in the diagram

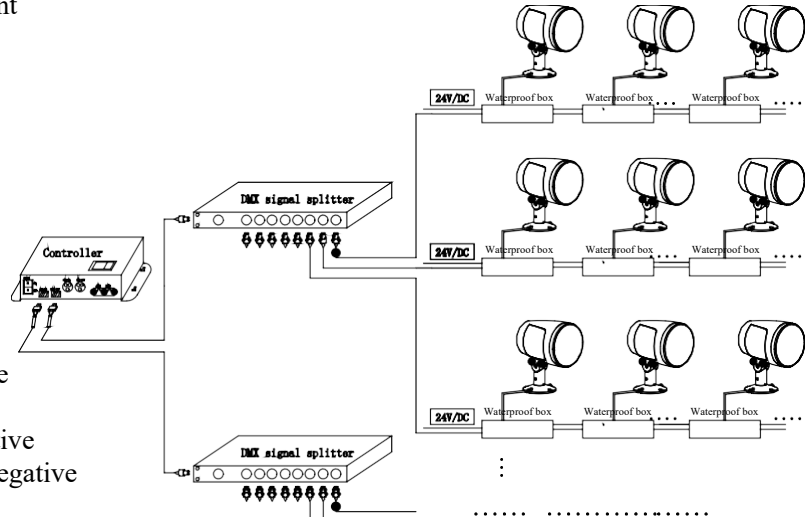


2. The lamp can be rotated horizontally by 330 degrees using an Allen wrench, and vertically by 30 degrees in the front and 90 degrees in the back to adjust the direction

Two. Wiring and control adjustment



3. Connect each core wire of the lamp to the power input (24V/DC) separately Match and connect the signal input line



4. Connect all lighting fixtures to a control network and adjust control as needed

Notes:

1. If damage is found to the glass protective cover during installation, it must be replaced;
2. When the glass protective cover is damaged and replaced, customers can only use the glass protective cover provided by our company.